

**5000KG**  
Max. Capacity

**APS**  
Accurate Parking System  
Technology By EAE

**2000MM**  
Max. Lifting Height  
with Standard SUV Adapters



62BE-35T/42T



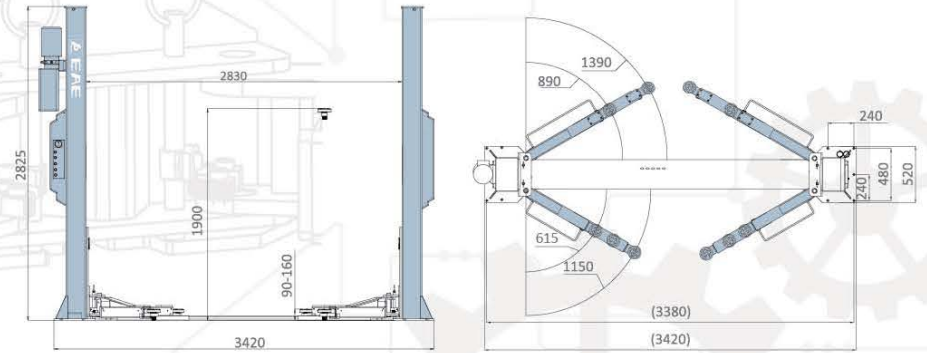
62BE-50T



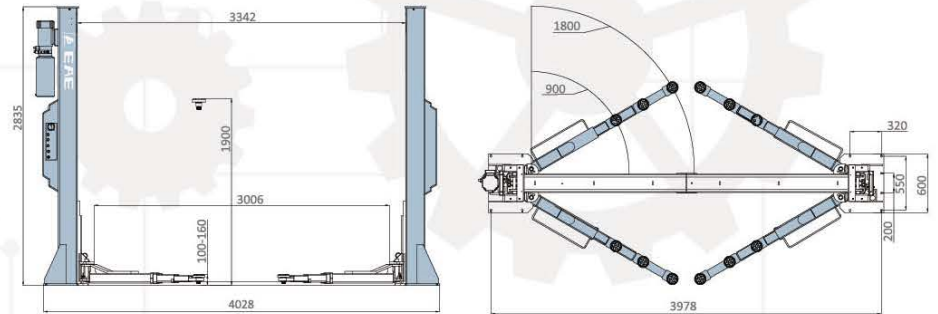
**Accurate Parking System**

Abbreviated as APS, it enables to efficiently park the lifted vehicle at exact height which is necessary for chassis maintenance, transmission repair or changing. Without this APS system, it is hard and also time-consuming to park exactly as each time you lower the vehicle, the carriage of the lift will rise to release the mechanical safety catch.

**OVERALL DIMENSION**



62BE-35T/42T



62BE-50T



**62B**

**TWO POST LIFT WITH APS TECHNOLOGY**

- Base Plate type for low ceiling workshops and garages.
- With APS technology.
- 1900mm lifting height.
- 3500kg/4200kg/5000kg lifting capacity.
- Durable cylinders in each column carry with anti-surge valves.
- Screw-up lifting pads with clearance height less than 100mm.
- 3-stage short arm and 2-stage long arm. (62B 3.5T/4.2T)
- More flexible three stage arms.(62B 5.0T)
- The arm locks engage and disengage automatically.
- Standard aluminum motor avoids overheating and ensures long service life.
- Durable powder coating.
- Standard door protection pads to prevent possible damage when open the door without caution.
- Standard column curtain.
- Pre-fixed hydraulic pressure prevents overloading operation.
- ABS control box with rubber gasket sealing.
- CE certificated.



Strong Carriage and Arm Structure



24 Control Box



Chain support with derailment protection



Round Screw-up Lifting Pad



3-Stage Short Arm And 2-Stage Long Arm (62B 3.5T/4.2T)

**TECHNICAL DATA**

MODEL NO.	62BE-35T/62B-42T	62BE-50T
Lifting capacity	3500kg/4200kg	5000kg
Max. lifting height	1900mm	1900mm
Overall height	2825mm	2835mm
Min. height	90mm	100mm
Drive-through width	2558mm	3006mm
Lifting time	55S	60S
Motor	2.2kW/3.5kW	2.2kW/3.5kW
Electricity supply	According To Customer Needs	

\* Max. Lifting height is measured with adjustable screw pads at highest position.  
\* Machine shown with optional equipment. Actual product appearance may differ.

