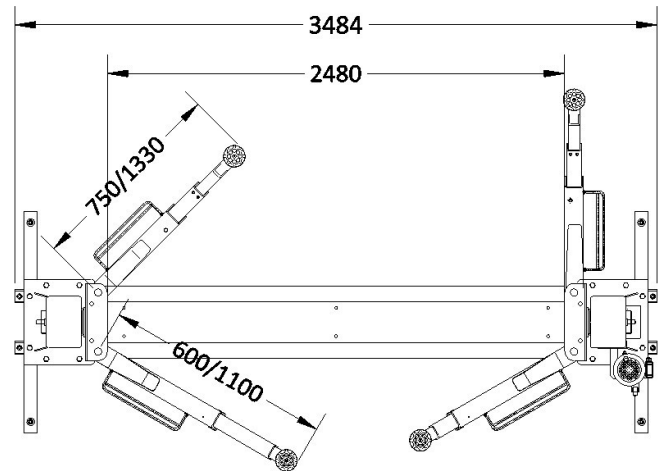
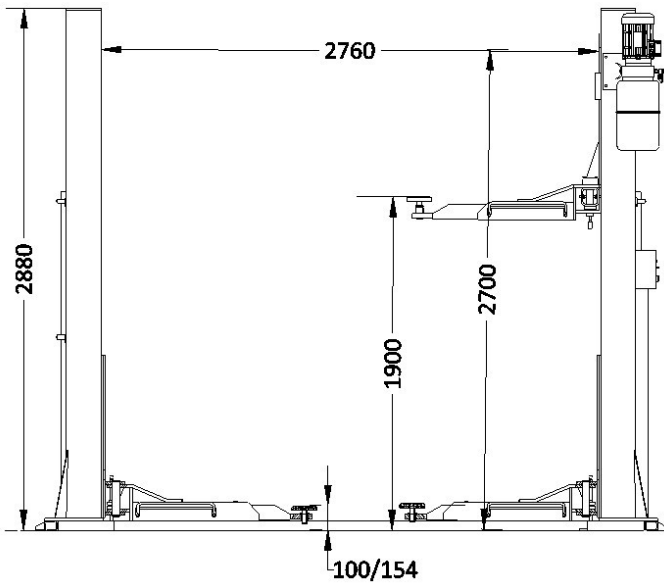


# PRO D304/B

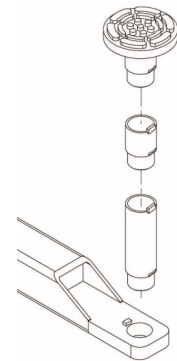


- 2 hydraulic cylinders, low maintenance costs;
- Electro-magnetic unlocking mechanism;
- 3-stage asymmetric arms, ideal for most cars and short vans;
- Automatic protection against overloading;
- Full H-frame, ideal for installation in low ceiling workshops;
- Available also in single phase.

## PRO D304/B



Model	<b>PRO D304/B</b>	
Capacity	4t	
	<b>1ph</b>	<b>3ph</b>
Motor	2.2kW 230V 50Hz 13A	2.2kW 230-400V 50Hz 6.4A
Lifting time	approx. 75"	approx. 60"



Optional pad extensions



24V dead man controls with electronic unlocking system

10 Little Balmer | Buckingham Industrial Park  
Buckingham | MK18 1TF | United Kingdom

☎ +44 (0)1280 812200

✉ info@alpha-ge.co.uk