

# Jacking Beams

**2-6t**

JACKING BEAMS



📷 Pictured: T2026/PA



**ALPHA**  
GARAGE EQUIPMENT

10 Little Balmer | Buckingham Industrial Park  
Buckingham | MK18 1TF | United Kingdom

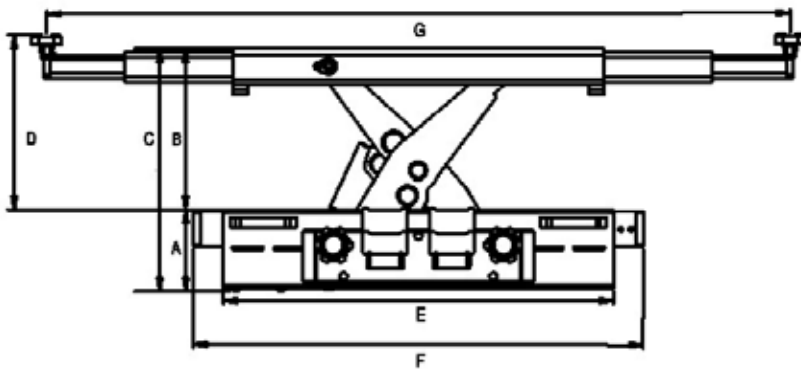
☎ +44 (0)1280 812200

✉ info@alpha-ge.co.uk

Registration number: 11079047

# 2-4t Jacking Beams

- ✓ Low closed height makes them ideal even for ultra-low profile vehicles;
- ✓ Safe two-hand lowering operation with dead man's control;
- ✓ Supplied with 10/40/85mm extensions sets (T2040/P supplied with 50/100mm extensions);
- ✓ Available with a range of support brackets suitable for all types of vehicle lifts and inspection pits;
- ✓ Available versions:
  - ✓ /M: double acting manual pump
  - ✓ /P: air hydraulic pump (7-12 bar required);
  - ✓ /PA: air hydraulic pump and pneumatic arms positioning with remote control.

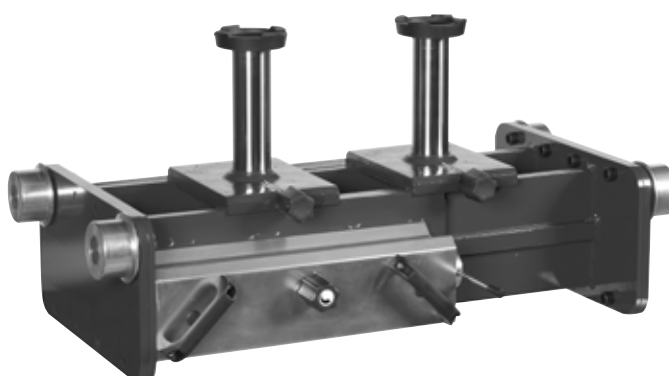
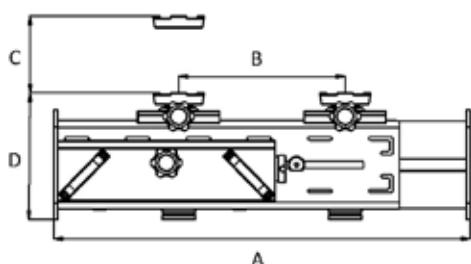


📷 Pictured: T2020/M

MODEL	CAPACITY	Dimensions (mm)						
		A	B	C	D	E	F	G
T2020 /M - /P	2t	120	57-307	177-427	67-317	780	780-1180	780-1610
T2026 /M - /P	2.6t	120	57-307	177-427	67-317	780	780-1180	780-1610
T2020 - T2026 /PA	2t - 2.6t	120	80-330	200-450	87-337	780	780-1180	780-1500
T2032 /P	3.2t	160	75-325	235-485	85-335	780	780-1220	780-1610
T2040 /P	4t	160	75-325	235-485	85-335	780	780-1220	780-1500

# T2060/P 6t Jacking Beam

- ✓ Air hydraulic twin independent rams, transversely sliding;
- ✓ High speed ram travel;
- ✓ Supplied with 100mm extensions;
- ✓ Available in 3 different frame widths and tailored height (to be specified before production);
- ✓ Available with a range of support brackets suitable for all types of vehicle lifts and inspection pits;



📷 Pictured: T2060/P

Dimensions (mm)


MODEL	CAPACITY	A	B	C	D
K	6t	580-890	200-640	200	305
L	6t	850-1150	200-990	200	305
W	6t	1110-1410	200-1160	200	305






**ALPHA**  
GARAGE EQUIPMENT

10 Little Balmer | Buckingham Industrial Park | Buckingham | MK18 1TF | United Kingdom

 +44 (0)1280 812200

 [info@alpha-ge.co.uk](mailto:info@alpha-ge.co.uk)

Registration number: 11079047